

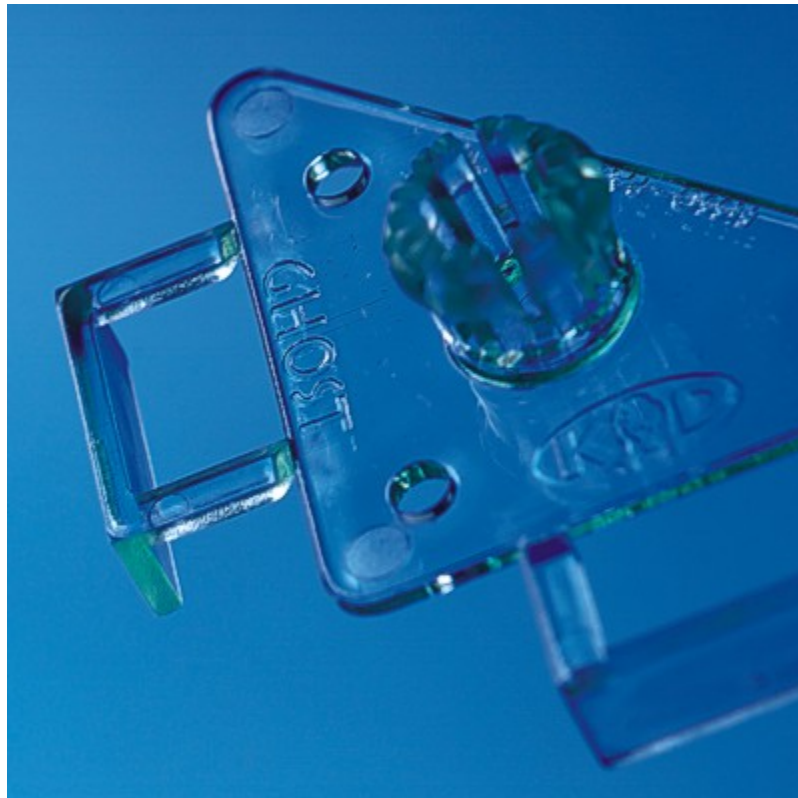


Hidden Sign Fixing

Short Description

- Invisible stand off sign fixing system
- Simple to use hidden sign fixings
- View the installation video to see how easy perfect results can be achieved.

Product Images



Triangular adhesive pad

Clear plastic moulding

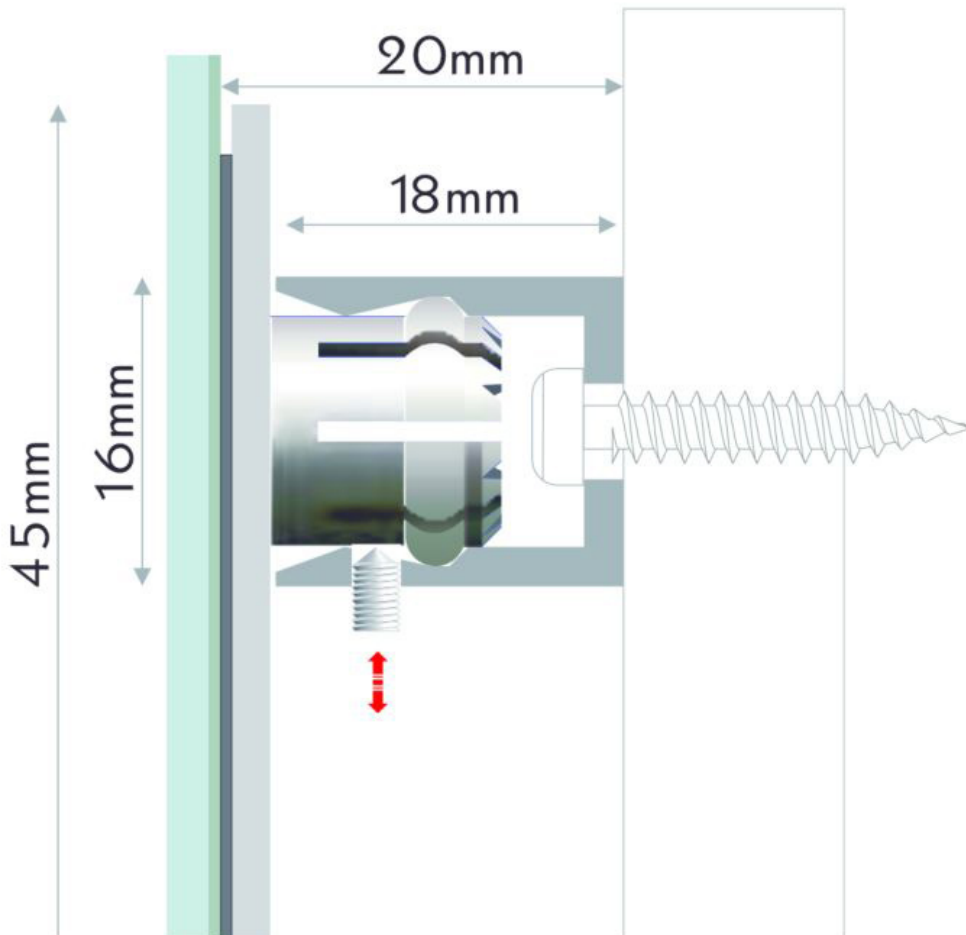
GHOST

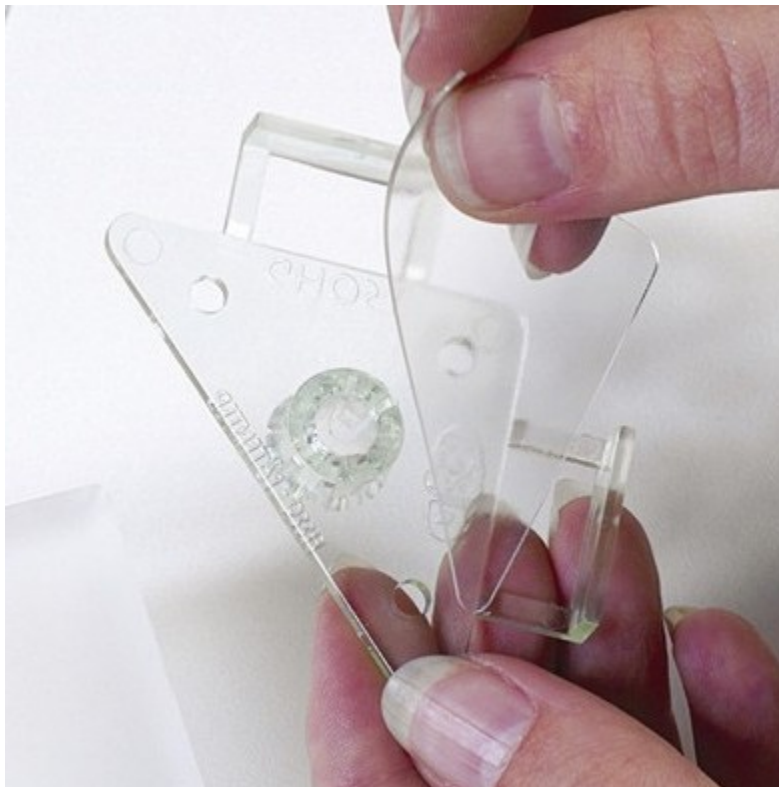
Marker ring

Screw

Cylindrical sleeve

Locking grub screw





Description

Fisso Ghost concealed sign panel fixing.

The fisso Ghost sign fixing system is perfect where traditional standoff fixings are either impractical or would spoil the look of the picture / graphic panel or sign. The Ghost does still have the same effect of standing the graphic off the wall without disturbing the main image.

- **Invisible sign fixing - also for mounting pictures or photographs mounted on acrylic or other substrates.**
- **Easy fixing to panel and wall.**
- **Bond with clear adhesive pads supplied (panels up to 600 gm) or screw to rear of panel.**
- **Complete kit of 4 fixings. Drilling template included.**
- **Snap off panel positioners for a perfect fit every time**
- **Stands 18mm from the wall**

Watch the "how to" video to see how easy it works!

Important: Please view instructions under View more details.

that they transfer to the wall serving as a drilling guide. Please check with a spirit level and then drill the wall using the precise locations now displayed on the wall. The supplied stand-off fittings can then be screwed to the wall using suitable wall plugs. Ensure the grub screws face outwards so they can be accessed once the panel is in place. The panel can then be offered up once more so that the posts engage precisely into the stand-off fittings. From the side of the metal stand-offs insert the allen key to tighten the grub screw and lock the panel in place.

Delivery and Returns

- We offer a choice of delivery options tailored to the goods selected and your location, calculated for you automatically in the Checkout. When feasible, you will be offered options for Free, Economy or Next Day delivery.
- Any product returned by the purchaser must be unused and in its original packaging, which should be unmarked. If goods are received damaged or faulty we will take care of the problem.
- For detailed information about Delivery charges or Returns and refund policies, please click on the links below.

| | |
|------------------------|-----|
| Include in Google Feed | Yes |
| Postable | No |
| Small parcel | No |
| Oversize | No |

