



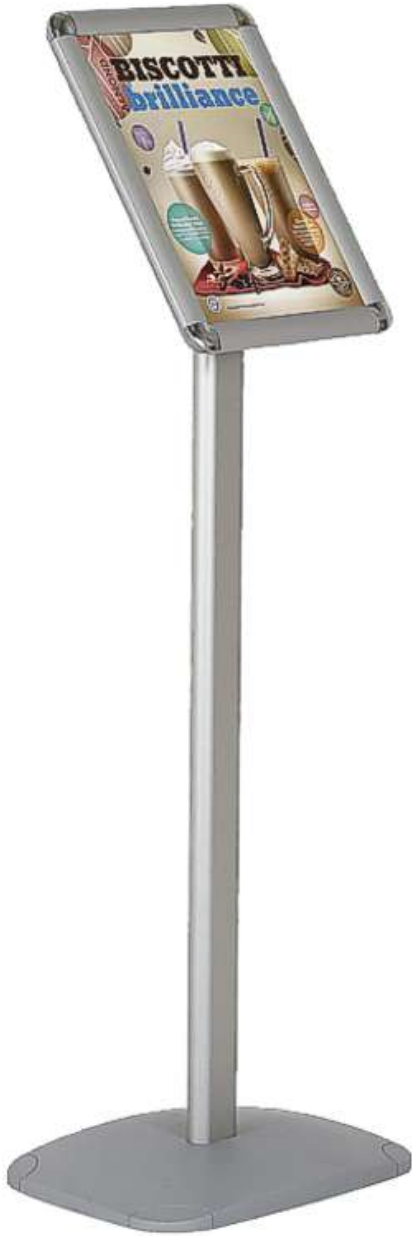
Angled menu-board floor signs

Short Description

- A3 & A4 angled menu sign stand with dual landscape or portrait snap frame poster holder.
- High-quality menu sign stands - A3 & A4 angled head for easy reading of signs
- A4 and A3 sign stands with stylish weighted base for stability
- New A2 sign stand with easy change A2 poster snap-action frame

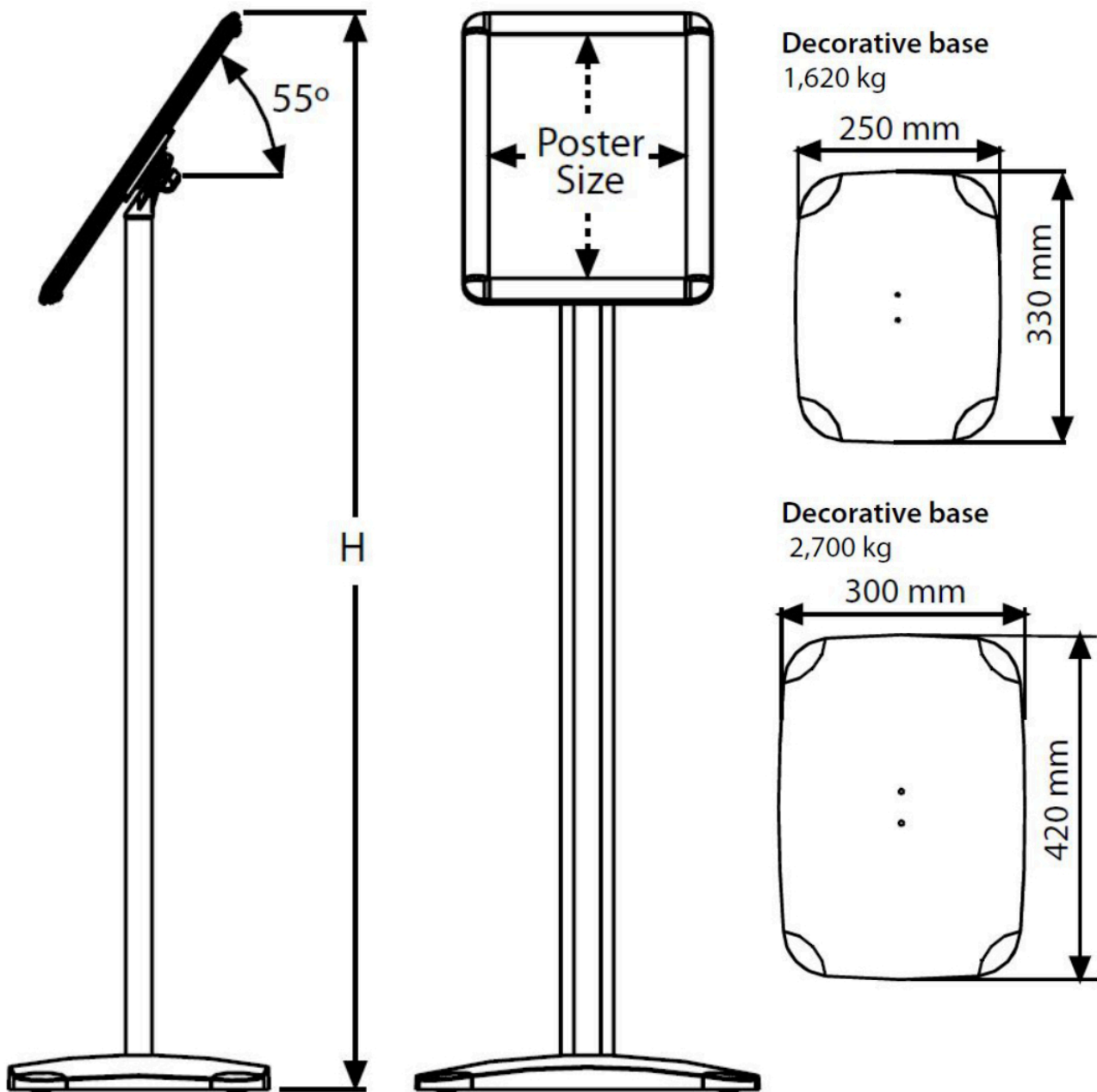
Product Images











Description

Angled free standing menu holders

Presenta Deco is a high-quality inclined snap frame menu board floor sign. This is a popular model in our comprehensive range of floor-standing snap frame menu stands. Just open the frame and insert any A2, A3 or A4 print or poster behind the supplied poster cover sheet.

These smart silver aluminium floor stands are not limited to displaying a menu! They make excellent signpost displays or portable information stands. They are intended for indoor use although with a waterproof print instead of paper they could be deployed in a sheltered outdoor space such as a shop entrance.

- Available in A4 and A3 sizes with a Deco base: a strong moulded plastic base with metal inlay for extra

[https://dev.sign-holders.co.uk/floor-sign-holders/snap-frame-floor-signs/angled-menu-board-floor-signs.ht](https://dev.sign-holders.co.uk/floor-sign-holders/snap-frame-floor-signs/angled-menu-board-floor-signs.html)

ml

07/11/2024

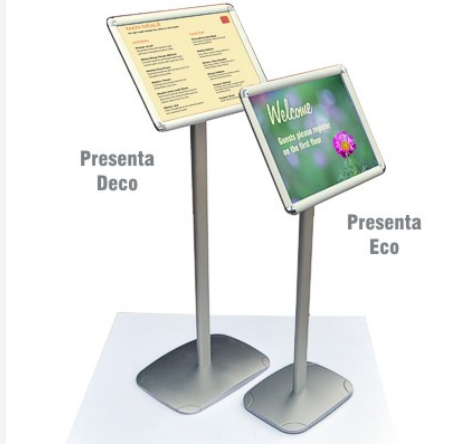
weight and stability. The base has a durable silver paint finish. A [black version](#) is also available.

- The A3 menuboard comes with a larger base for extra stability. There is a steel plate inlay concealed under the curved base moulding to provide ballast for sturdy performance.
- The A4 and A3 size frames can be adjusted from landscape to portrait, simply by loosening a knob on the back of the frame and re-tightening after adjustment.
- Presenta Deco Nett weight - A4: 3.2kg A3: 5.1kg
Base size - A4: 330 x 250mm A3: 420 x 300mm
Height Port/Land - A4: 1000/950mm A3: 1200/1150mm
- New addition A2 silver sign stand get the maximum impact from your displays

Floor standing A2, A3 & A4 exhibition sign holders

This high-quality floor sign stand is used extensively in the exhibition and museum sectors, if you have a large product or museum installation that requires easy to read portable information this stand is perfect. Made from high-quality aluminium these sign stands to add style and visual flow to your exhibits.

Additional Information

<p>More Information</p>	<p>See also Presenta ECO - a lower cost version of this product.</p> <p>More Details about Presenta Deco and suitable applications Adjustable from portrait to landscape at the turn of a knob these angled menu board floor sign stands look great anywhere. Snap frames have chrome plated rounded corners for styling and safety. Snap frames are opened by lifting all four borders. This gives access to the plastic cover sheet behind which you place your printed sign. Presenta Deco menu boards are primarily designed for indoor use as the frame will not keep paper signs dry on rainy days or protect against condensation. However, they are used at outdoor events, boat show, menu displays on the pavement etc. where they can be brought under cover when required. Another option is to print the sign on synthetic waterproof paper or film using a laser printer. If you prefer to laminate your sign it needs to be trimmed back to dead A4 or A3 size - or use a different angled floor stand designed to accept laminated prints.</p> <p>Part of a family of menu board floor stands If you do not want an angled menu board click here for upright menu boards.</p> <p>ECO model The economy ECO version is very similar to the original Deco model. The leg on the Eco sign stand is shorter and the base on the A3 Eco model is smaller - same size base for A3 and A4 versions. This makes the Deco version a superior choice if extra height and weight are considered desirable. <i>The picture below shows the A3 size Presenta Deco and Presenta Eco models side by side.</i></p> 
<p>Product Dimensions</p>	<p>Weights and Sizes</p> <p>A4 Model Overall height to top of A4 portrait frame: 1000 mm Base size: 250 x 330 mm Base weight: 1.62 kg Overall weight: 3.4 kg</p> <p>A3 Model Overall height to top of A3 portrait frame: 1200 mm Base size: 300 x 420 mm Base weight: 2.7 kg Overall weight: 5.8 kg</p> <p>A2 Model Overall height to top of A2 portrait frame: 1272 mm Base size: 300 x 420 mm Base weight: 2.7 kg Overall weight: 7 kg</p>
<p>Assembly and Installation</p>	<p>Angled menuboard is easy to assemble, as shown in the video below.</p>
<p>Delivery and Returns</p>	<ul style="list-style-type: none"> • We offer a choice of delivery options tailored to the goods selected and your location, calculated for you automatically in the Checkout. When feasible, you will be offered options for Free, Economy or Next Day delivery. • Any product returned by the purchaser must be unused and in its original packaging, which should be unmarked. If goods are received damaged or faulty we will take care of the problem. • For detailed information about Delivery charges or Returns and refund policies, please click on the links below.
<p>Include in Google Feed</p>	<p>Yes</p>
<p>Postable</p>	<p>No</p>
<p>Small parcel</p>	<p>No</p>
<p>Oversize</p>	<p>No</p>

