



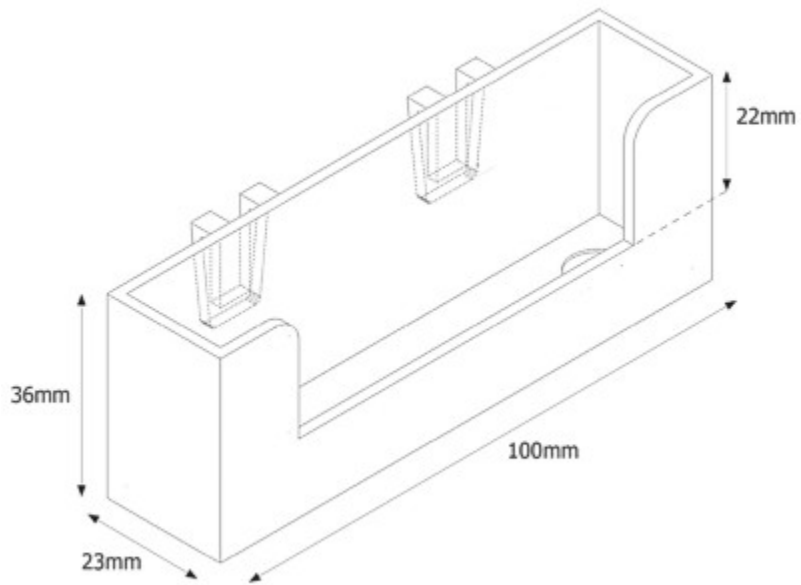
Add-on business card holder

Short Description

- Add on business card holders to attach to A5 and A4 leaflet dispensers
- Clips onto the front of many styles of plastic leaflet holder to let customers take away your business card

Product Images





Description

Clip-on business card holder for leaflet dispensers

Clip-on business card holder attaches to the front of certain models of leaflet dispenser including countertop A5 and A4 (LDC.A5 and LDC.A4). This is convenient for adding a standard size landscape business card or similarly sized coupon onto the front of brochure holders.

Internal size of clip-on card holder is 95mm wide x 18mm deep.

Made of clear styrene plastic.

Before ordering a large quantity please check compatibility with your intended literature dispenser.

Additional Information

Delivery and Returns	<ul style="list-style-type: none">• We offer a choice of delivery options tailored to the goods selected and your location, calculated for you automatically in the Checkout. When feasible, you will be offered options for Free, Economy or Next Day delivery.• Any product returned by the purchaser must be unused and in its original packaging, which should be unmarked. If goods are received damaged or faulty we will take care of the problem.• For detailed information about Delivery charges or Returns and refund policies, please click on the links below.
Include in Google Feed	No
Postable	No
Small parcel	No
Oversize	No

