



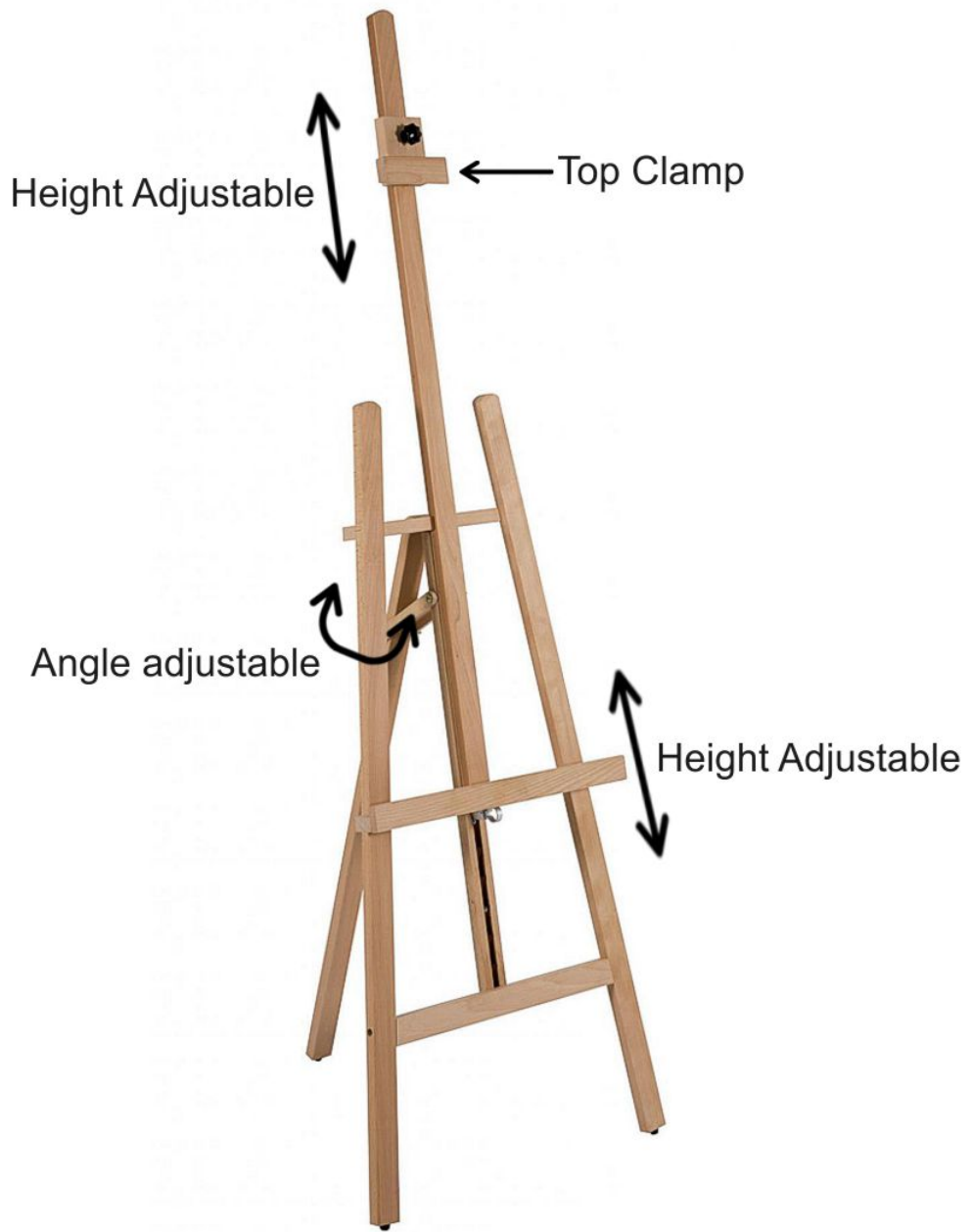
## Artist Easel – large studio easel

### Short Description

- Artist Easel for display boards, chalkboards, blackboards, seating plans, paintings and more
- Large studio easel made from beech wood for a luxury finish
- Top clamp and lip for securely holding your board or canvas
- Chalkboard options or additions available

### Product Images















## Description

---

### **Large Artist Easel for event, promotion and retail displays**

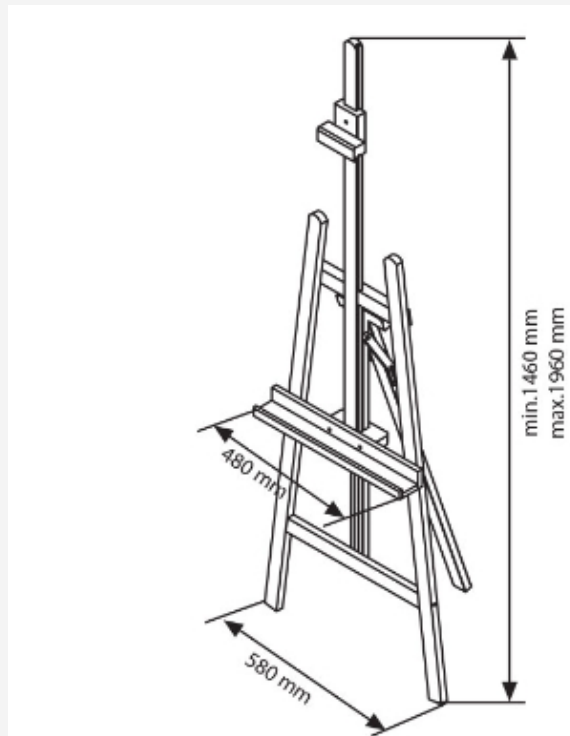
Our premium beech wood large artist tripod easels are the must-have feature to showcase your display – whether that be in the shop window, restaurant, hotel lobby, conference centre or event venue. The wooden art easel works brilliantly with one of our large beech framed chalkboards for creating a dramatic and eye-catching display or as a display easel for pictures, paintings and other one-offs, unique exhibits in galleries, museums and exhibition halls.

Also great as an artist studio easel due to the top clamp and lip features which provide added security and stability for your artwork.

- Elegant and on-trend luxury product for high-end spaces
- Robust and sturdy wooden art easel ideal for indoor displays and event announcements
- A secure display board or canvas fitting
- Adjustable height easel
- Folds up for easy storage
- Wooden easel made from beech wood

## Additional Information

### Product Dimensions



### Assembly and Installation

The Artist Easel does require assembly – please refer to the assembly video to supplement the supplied printed instructions.

### Include in Google Feed

Yes

### Postable

No

### Small parcel

No

### Oversize

No



