



Flip poster display stand

Short Description

- Poster display stand with 5 A4 pockets
- Checkout barcode scanner book stand

Product Images





Checkout stand with A4 poster frames

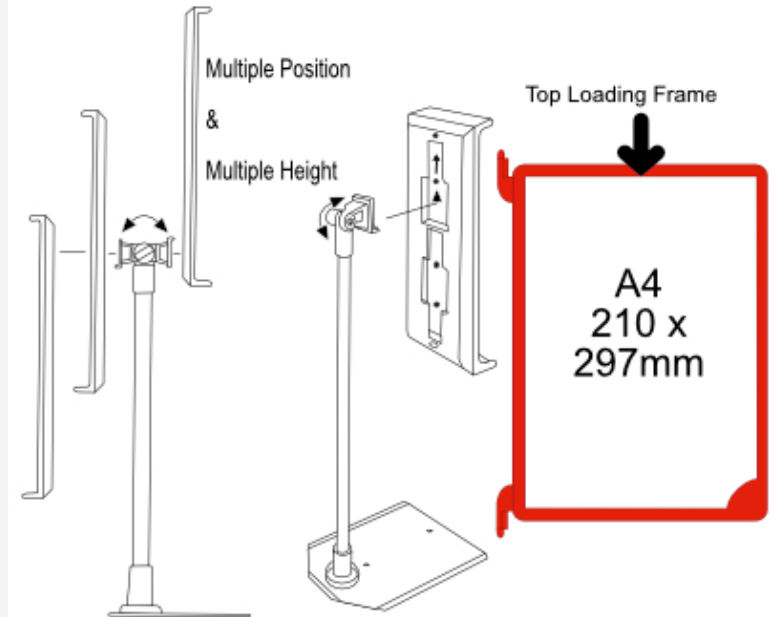
Flip poster display stands on a table or counter to provide a swing panel poster display for A4 sheets at eye level.

The Infoline freestanding poster flip display raises the poster rack up to a convenient height for retail checkouts or information counters. Five hinged A4 holders can each be used double-sided. This allows viewing of up to 10 pages of information, e.g. bar codes for heavy items at checkouts - to avoid having to lift them out from the shopping trolley.

- Flip poster display stand is offered in a choice of colours. Each frame comes with a transparent plastic sleeve.
- Multi-colour frames assist with rapid finding of the correct item - acts as a colour coding system.
- Single colour sets are also available, all white as standard (other single colours to order - please call to check stocks).
- The metal base plate can be used free-standing or screwed onto a counter-top or workbench to increase stability (2 fixing hole are provided).
- The metal rod lifts the flip rack to a convenient reading height, keeping the counter or bench clear. The angle of the A4 rack can be adjusted as required.

Additional Information

Product Dimensions



Delivery and Returns

- We offer a choice of delivery options tailored to the goods selected and your location, calculated for you automatically in the Checkout. When feasible, you will be offered options for Free, Economy or Next Day delivery.
- Any product returned by the purchaser must be unused and in its original packaging, which should be unmarked. If goods are received damaged or faulty we will take care of the problem.
- For detailed information about Delivery charges or Returns and refund policies, please click on the links below.

Include in Google Feed

Yes

Postable

No

Small parcel

No

Oversize

No

