



Spring clip price ticket holder

Short Description

- Clip on information holder with large clip which attaches to crates, trays and baskets
- Card gripper with spring clip can be used with write-on chalk cards
- Clip on sign holder for printed card or lightweight board price tickets up to 4mm thickness

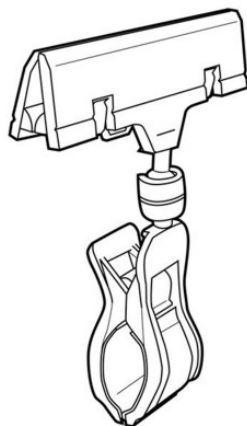
Product Images











Description

Spring clip price ticket holder with card clamp

This spring clip will hold a stiff showcard or price label and attach it onto a thick plastic food tray, wicker basket, wooden crate or similar display containers. Widely used ticket holder to display prices in supermarket food counters.

- Jaws of the sign holder are spring loaded and designed to accept a range of showcards or price tickets from stiff plastic up to 4mm thick display board. The thick card gripper is suitable for signs up to A5 size.
- The lower clamp will attach to many different display items up to 1" (25mm) thick including rails and tubes.
- Popular point of sale ticket holder for green grocers and market stalls through to smart delicatessens and high end food halls.
- These heavy duty POP clips with springs are in use worldwide for retail display.
- As the clip will grip rigid foam centred board and many other display materials, these clamp sign holders are also used to label products at exhibitions and in showrooms.
- Lower cost shipping by post applies for up to 30 CG.05

Additional Information

More Information

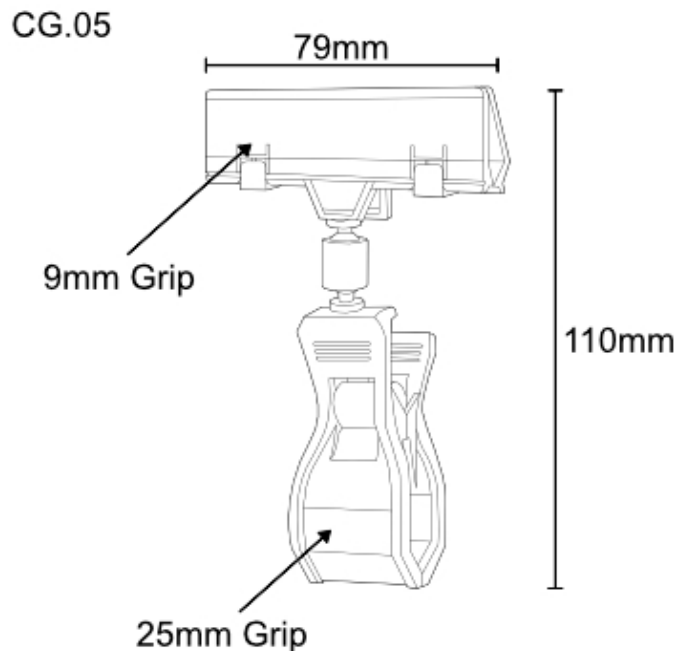
Specifications

Clear plastic multi-angle thick card gripper contains a small steel spring to grip most showcards. The clamp mechanism will attach onto many clothes rails but equally onto fruit and veg trays, glass shelves or risers, push chair and stroller handles, bicycle handlebars.

Whether for displaying prices or important product specifications, these sprung clip POS holders offer a versatile solution to the display of small signs. These spring clip card grippers are in use in many supermarket deli counters, fish and fresh meat displays etc. The spring clip knuckle sign holders are equally popular with market traders and farm shops.

The showcards pictured are made by printing (or writing) onto thick paper or card and then encapsulating using a regular desktop laminator to offer a hygienic solution in a food environment. People wanting to create handwritten signs may use [chalk cards](#) - which are mini stiff black plastic 'chalkboards' - they can be written onto with [chalk pens](#).

Product Dimensions



Delivery and Returns

- We offer a choice of delivery options tailored to the goods selected and your location, calculated for you automatically in the Checkout. When feasible, you will be offered options for Free, Economy or Next Day delivery.
- Any product returned by the purchaser must be unused and in its original packaging, which should be unmarked. If goods are received damaged or faulty we will take care of the problem.
- For detailed information about Delivery charges or Returns and refund policies, please click on the links below.

Include in Google Feed

Yes

Postable	No
Small parcel	No
Oversize	No

