

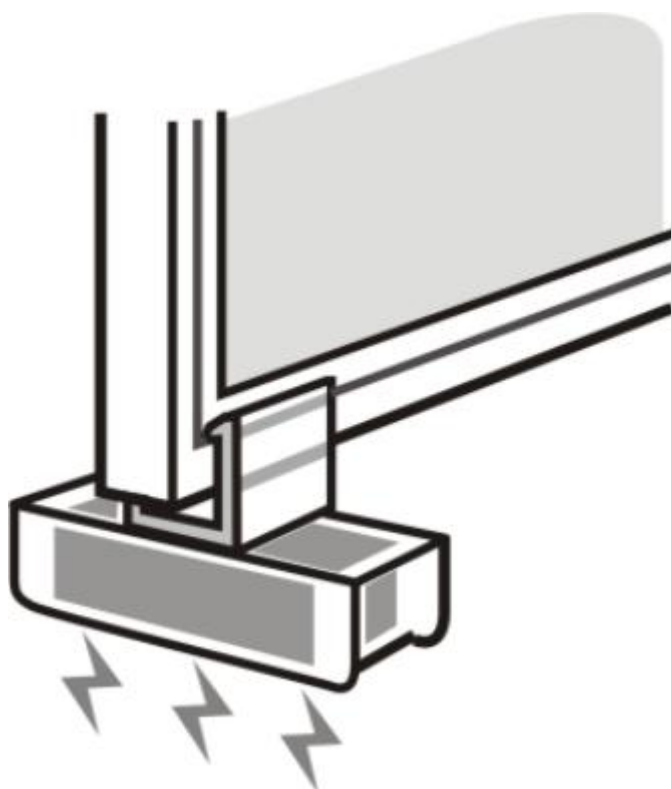


Slim Frame Magnet fastener 90 deg.

Short Description

Magnetic fastener for slim frames

Product Images



Description

Magnetic 90 degree fastener for slim frames

Magnetic fastener attaches to Slim frames size A5, A4 and A3. It holds frame at 90 degrees to any steel surface. 2 required per frame.

- Magnetic mount for retail gondola tops.
- 90 degree fixing for slim frames to attach to steel surfaces.
- Use on horizontal surfaces.

Commonly used for gondola top signage. On vertical steel racking fittings can be used to make 'flag' or 'bus stop' signs. The base can be rotated relative to the frame, to run perpendicular as illustrated or parallel.

Additional Information

More Information	Magnet fittings offer a simple method of attaching Series 100 plastic frames to the tops and faces of shop-fittings and other steel components.
Delivery and Returns	<ul style="list-style-type: none">• We offer a choice of delivery options tailored to the goods selected and your location, calculated for you automatically in the Checkout. When feasible, you will be offered options for Free, Economy or Next Day delivery.• Any product returned by the purchaser must be unused and in its original packaging, which should be unmarked. If goods are received damaged or faulty we will take care of the problem.• For detailed information about Delivery charges or Returns and refund policies, please click on the links below.
Include in Google Feed	Yes
Postable	No
Small parcel	No
Oversize	No

