



Loop cable with adjustable hook

Short Description

- Loop ended cable with adjustable hanging hook
- 1.5mm loop end wire rope with hanging hook

Product Images





Description

Loopend cable system with hanging hook

Loop Cable Kit consists of a 2m long 1.5mm wire rope cable with a pre-formed loop at one end. This offers the facility to pass the cable over a beam or roof truss and double the tail of the cable back through the loop to secure the top end. Alternatively the loop end can be hung onto a ceiling hook or eye bolt.

The supplied **Safety Hook** is then threaded onto the trailing end of the cable and height adjusted with the automatic gripper mechanism incorporated into the hook.

The clutch release button allows the hook to be slid up and down the cable to achieve the correct level. With this kit the adjustment is conveniently done at the bottom of the cable rather than high in the roof.

Poster bars or other signs/displays can then be hooked on/off without disturbing the adjusted height of the suspended hooks. This makes for easy poster changes - or for hanging equipment such as acoustic panels.

*This is **Kit K** - other [loop cable](#) options exist.*

Additional Information

More Information

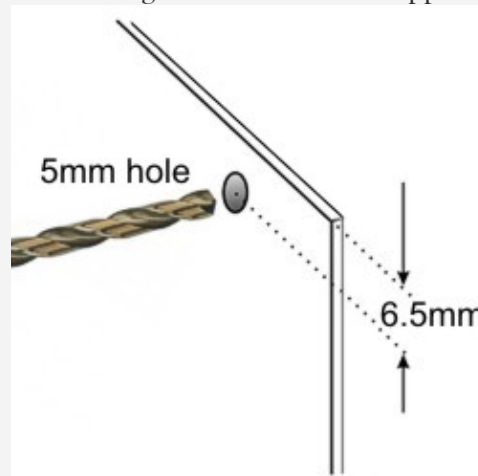
Safe working load is 6kg for the Safe Hook (10kg per loop-end cable).

Excess cable protruding through the hook after final adjustment can be cut off using good quality wire cutters.

Suspending a panel

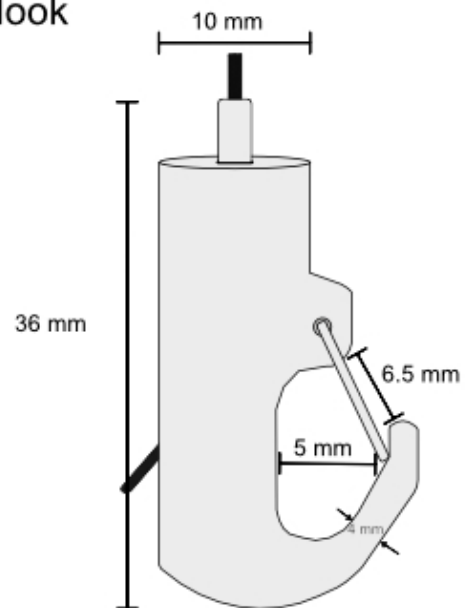
When suspending a panel sign made from foam-board (FoamEx), acrylic or composite sheet the position of the suspension hole in the panel is important. The following is based on a 3mm thick panel. The Safe Hook requires a 5-6mm hole in a sign panel. The top edge of the hole should be within 4-5mm of the top edge of the panel (i.e. centre of hole 6-7mm from the edge of the panel). If the holes already exist in a different position it may be necessary to introduce an intermediate support fitting such as an S-hook or C-hook.

See the diagram below which is applicable to a thin panel.



Product Dimensions

Safe Hook



Delivery and Returns

- We offer a choice of delivery options tailored to the goods selected and your location, calculated for you automatically in the Checkout. When feasible, you will be offered options for Free, Economy or Next Day delivery.
- Any product returned by the purchaser must be unused and in its original packaging, which should be unmarked. If goods are received damaged or faulty we will take care of the problem.
- For detailed information about Delivery charges or Returns and refund policies, please click on the links below.

Include in Google Feed

Yes

Postable

No

Small parcel

No

Oversize

No

