



Panel grippers and board hangers

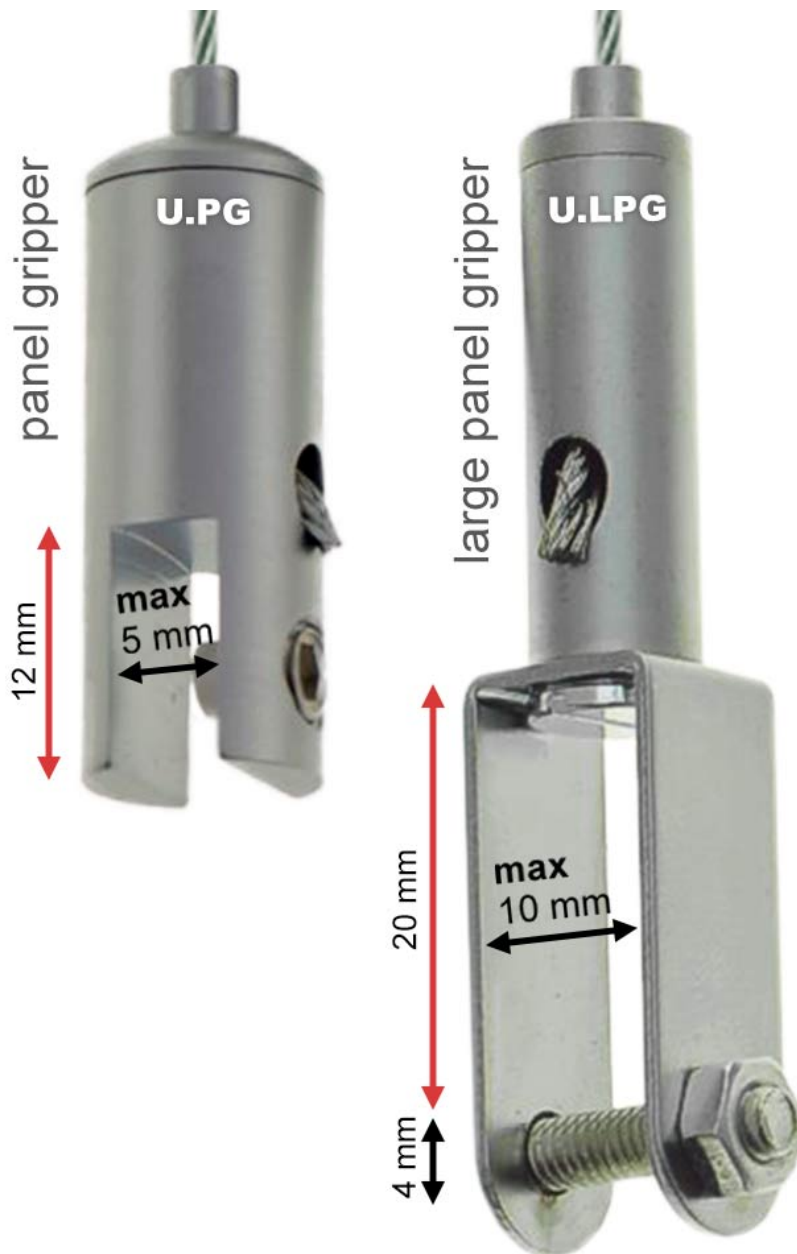
Short Description

- Adjustable hanging fittings for signs and graphic panels
- 5mm and 10mm capacity board hangers from suspended wires

Product Images







Description

Fittings for hanging signs and boards from wire

Graphic panel grippers and board hangers are used for suspending signs and rigid boards or panels from drop wires. They are suitable for many types of sign substrate such as foam board, acrylic and composite panels up to 10mm thick.

Panel hanging fittings are available on this page **without** wires and ceiling fixings. They are also available in kits complete with everything you need to hang a sign or panel from the ceiling. Click here for [panel hanging kits](#).

- Both fittings contain grippers to lock onto wire between 1.2 and 1.5 mm thick. Fully adjustable by depressing the cable entry button on the top of the panel with finger, and releasing to lock.

<https://dev.sign-holders.co.uk/hanging-wire-systems/fixings-and-components/panel-grippers-and-board-hangers.html>

- Note that minimum two fittings are required per hanging sign or suspended graphic panel.

Panel Gripper (U.PG)

For supporting signs and panels up to 5mm thick, satin finish, includes nylon-tipped locking screw and height adjustment facility.

Large Panel Gripper (U.LPG)

For supporting signs and panels up to 10mm thick, with height adjustment. Panel needs to be drilled to accept nut and bolt.

More Information

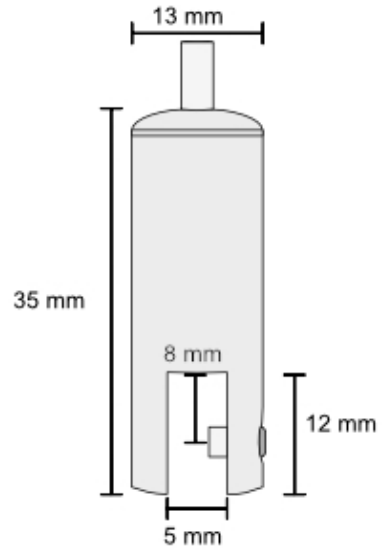
PANEL GRIPPERS

Panel grippers are for supporting sign panels made from rigid substrates such as Dibond (ACP), foamex (foam PVC), acrylic such as Perspex but can also be used for any rigid panel material. There are two main differences between the panel hangers we offer: the capacity and the method of gripping the panel.

The standard panel hanger (PG.U) has a capacity of up to 5mm. It will also suit thinner panels such as 3mm and 4mm thick substrates. The fitting has a locking grub screw fitted with a nylon tip for extra grip. Generally two panel hanger fittings are required per sign. The maximum weight supported will depend on the type of substrate used. If the sign board is slightly compressible (e.g. foam PVC or ACP) the tip of the grub screw will bite into the panel readily allowing a greater load to be supported. Acrylic will indent slightly while glass will not - making it unsuitable unless users carry out their own thorough tests to check performance.

The larger capacity panel hanger will cope with a wider range of panel thicknesses up to 10mm thick board. Even thicker boards can be routed down in the area of the panel hanger to enable the 10mm fork to fit over the panel. This unit comes with a nut and bolt which must pass through the panel to support it. The panel or board therefore needs to be pre-drilled. If thinner panels are to be used it may be prudent to pack out either side with space washers or packing shims to stabilise and centralise the panel within the fitting.

Panel Gripper



Product Dimensions

Sign-Holders
Green Magic's Online Shop

No product image available

Delivery and Returns

- We offer a choice of delivery options tailored to the goods selected and your location, calculated for you automatically in the Checkout. When feasible, you will be offered options for Free, Economy or Next Day delivery.
- Any product returned by the purchaser must be unused and in its original packaging, which should be unmarked. If goods are received damaged or faulty we will take care of the problem.
- For detailed information about Delivery charges or Returns and refund policies, please click on the links below.

Include in Google Feed

Yes

Postable

No

Small parcel

No

Oversize

No

